

## BIMETALLIC STEAM TRAPS AND AIR VENTS BM20i

### DESCRIPTION

The BM20i is a series of robust and efficient bimetallic steam traps and air vents. These steam traps are recommended for steam process applications where sensible heat can be recovered, such as steam tracing lines, drip points, storage tank coils and steam air venting.

### MAIN FEATURES

Modulating discharge.  
Discharges condensate below steam saturation temperature.  
Excellent air discharge.  
Operates with superheated steam.  
Unaffected by water hammer and vibrations.  
Built-in strainer.

OPTIONS: Blowdown valve.

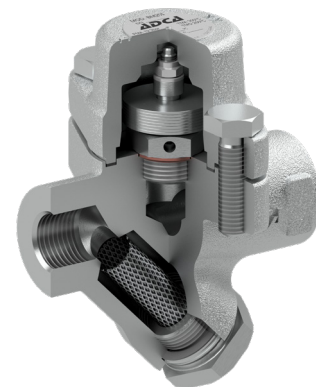
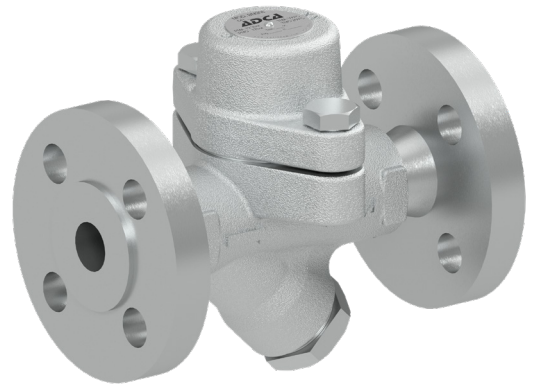
USE: Saturated and superheated steam.

AVAILABLE MODELS: BM20i – stainless steel.

SIZES: 1/2" to 1"; DN 15 to DN 25.

CONNECTIONS: Female threaded ISO 7 Rp or NPT.  
Flanged EN 1092-1 PN 40.  
Flanged ASME B16.5 Class 150 or 300.  
Socket weld (SW) ASME B16.11.  
Butt weld (BW) ASME B16.25 on request.

INSTALLATION: Horizontal installation is recommended, but can be installed in any position.  
See IMI – Installation and maintenance instructions.



CE MARKING – GROUP 2 (PED – European Directive)	
PN 40	Category
1/2" to 1" – DN 15 to 25	SEP

PN 40	Category
1/2" to 1" – DN 15 to 25	SEP

BODY LIMITING CONDITIONS			
FLANGED PN 40 *	FLANGED CLASS 150 **	FLANGED CLASS 300 **	RELATED TEMP.
ALLOW. PRESSURE	ALLOW. PRESSURE	ALLOW. PRESSURE	
40 bar	15,3 bar	39,9 bar	50 °C
34,4 bar	12 bar	31,3 bar	150 °C
29,9 bar	10,2 bar	26,6 bar	250 °C
27,6 bar	9,7 bar	25,2 bar	300 °C

FLANGED PN 40 *	FLANGED CLASS 150 **	FLANGED CLASS 300 **	RELATED TEMP.
ALLOW. PRESSURE	ALLOW. PRESSURE	ALLOW. PRESSURE	
40 bar	15,3 bar	39,9 bar	50 °C
34,4 bar	12 bar	31,3 bar	150 °C
29,9 bar	10,2 bar	26,6 bar	250 °C
27,6 bar	9,7 bar	25,2 bar	300 °C

PMO – Maximum operating pressure: 17 bar.

TMO – Maximum operating temperature: 250 °C.

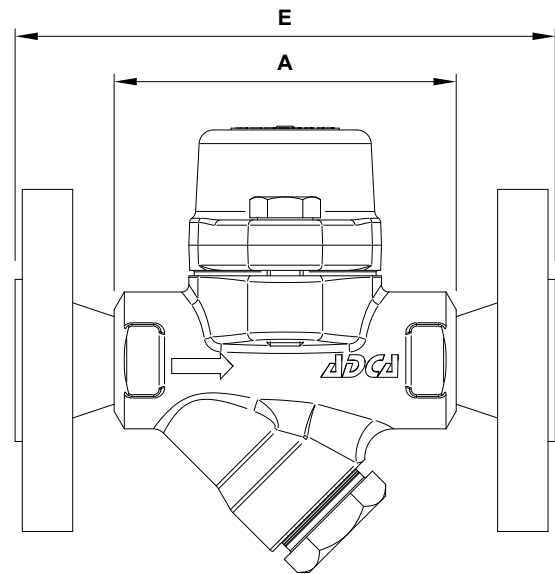
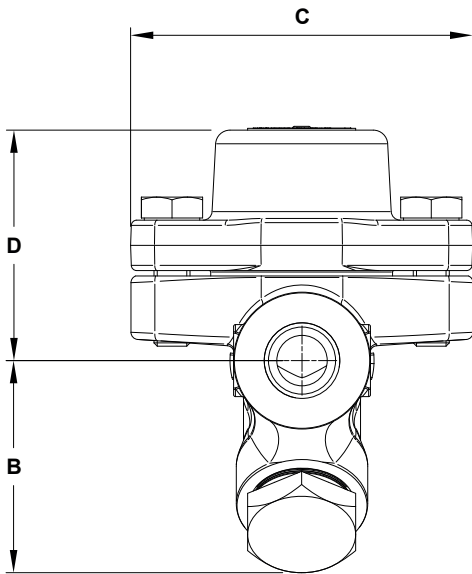
\* According to EN 1092-1:2018.

\*\* According to EN 1759-1:2004.

Body limiting conditions PN 40 or below, depending on the type of connection adopted. Rating PN 40 for threaded, SW and BW versions.

FLOW RATE CAPACITY (kg/h)											
MODEL	SIZE	DIFFERENTIAL PRESSURE (bar)									
		0,5	1	2	4	6	8	10	12	14	17
(A) BM20i	1/2" to 1" DN 15 to 25	125	200	320	410	445	485	500	540	580	600
(B) BM20i	1/2" to 1" DN 15 to 25	450	700	1000	1220	1340	1450	1560	1650	1780	1850

A: Hot condensate discharge 10 °C below saturation temperature; B: Cold condensate discharge at 20 °C.



DIMENSIONS (mm)											
SIZE	THREADED / SW					PN 40		CLASS 150		CLASS 300	
	A	B	C	D	WEIGHT (kg)	E *	WEIGHT (kg)	E *	WEIGHT (kg)	E *	WEIGHT (kg)
1/2" – DN 15	95	59	95	65	1,6	150	3,2	150	2,7	150	3,5
3/4" – DN 20	95	59	95	65	1,6	150	3,9	150	3,1	150	4,7
1" – DN 25	95	65	95	65	1,8	160	4,7	160	4,3	160	5,9

\* Other face to face dimensions on request.

MATERIALS		
POS. N°	DESIGNATION	MATERIAL
1	Body	AISI 316L / 1.4404
2	Cover	AISI 316L / 1.4404
3	* Gasket	Stainless steel / Graphite
4	* Bimetallic regulator	Corrosion resistant bimetal; Stainless steel
5	* Seat gasket	Copper
6	* Strainer screen	AISI 304 / 1.4301
7	* Strainer gasket	Stainless steel / Graphite
8	* Strainer cover	AISI 303 / 1.4305
9	Bolt	Stainless steel A2-70

\* Available spare parts.

